

PICTURE FRAME WITH BLACK BOARD

101-028-100
101-028-200
101-028-300

WARNING!

- Read these Warnings fully before use.
- Do not sit, stand or jump on this item.
- This item is designed for indoor use alone.
- To avoid dangers of suffocation, ensure all polythene bags, wrapping materials, and parts that come with this item are kept out of reach and carefully disposed of.
- Carry item carefully when moving it from one position to another. Do not drag item on any type of flooring.
- Before use make sure this item is fully assembled.
- Do not use power tools to assemble this item.
- Serious or fatal injuries can occur from tipping furniture. To prevent tip-over, always secure furniture to the wall with tip-over restraints.
- Do not use this item near fire, water.
- This furniture must be used of leveled surfaces only. Ensure all legs are in contact with the floor always.
- Check that there are no loose screws on this item from time to time.
- Do not place TV sets or any other heavy object on this item.

CLEANING INSTRUCTIONS *For: Liquid spills, non-liquid spills*

- Clean this item only with a damp cloth. Do not use bleach or abrasive cleaners.

¡¡¡ADVERTENCIAS!!!

- Por favor lea estas advertencias antes de usar el producto.
- No se siente, pare o salte sobre este producto.
- El producto está diseñado solamente para ser usado en interiores.
- Evite riesgo por sofocación, asegúrese que todas las bolsas de polietileno, materiales de empaque y partes que vienen con este artículo sean mantenidas fuera del alcance y se tiren apropiadamente.
- Tenga cuidado al mover el artículo de una posición a otra. No lo arrastre sobre ningún tipo de piso.
- Asegúrese que este artículo esté completamente armado.
- No use herramientas eléctricas al ensamblar este artículo.
- Pueden ocurrir lesiones serias o fatales si se cae el mueble. Para prevenir que se caiga, siempre asegure el mueble a la pared con restricciones contra caídas.
- No use este artículo cerca de fuego o agua.
- Este mueble debe usarse sobre superficies niveladas solamente. Asegúrese que todas las patas toquen el suelo siempre.
- De tiempo en tiempo, verifique que no haya tornillos flojos en este artículo.
- No coloque televisores ni ningún otro objeto pesado sobre este artículo

INSTRUCCIONES DE LIMPIEZA *Para: derrames líquidos, derrames no líquidos*

- Limpie este objeto únicamente con un paño húmedo. No utilice lejía ni limpiadores abrasivos.

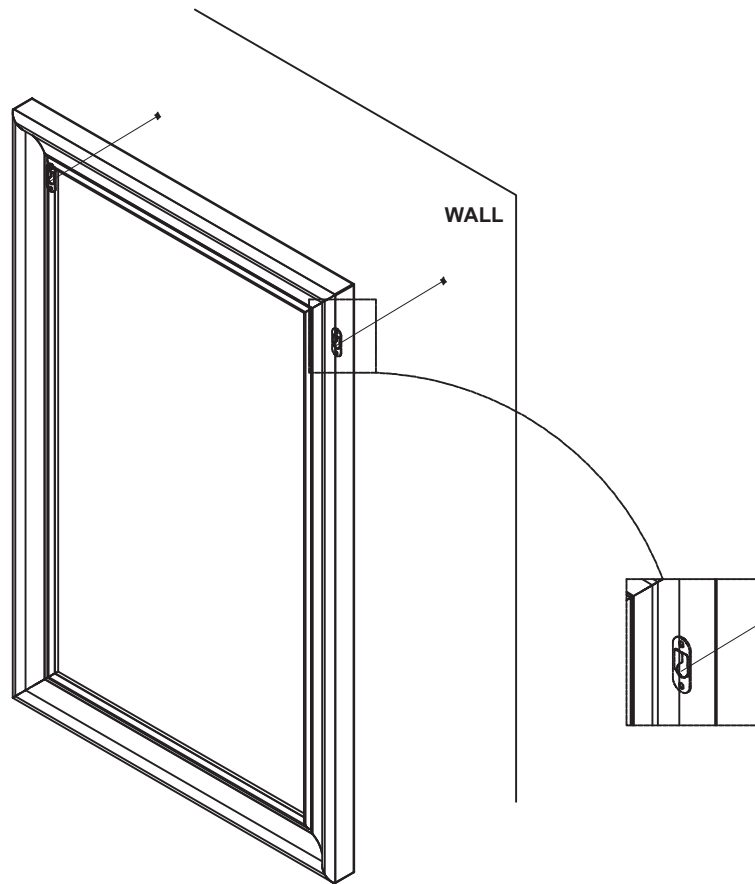
AVERTISSEMENTS!

- Lisez tous ces avertissements avant l'utilisation.
- Ne pas s'asseoir, ni se mettre debout, ni sauter sur cette article.
- Cet article est conçu pour l'utilisation interne uniquement.
- Pour éviter les dangers de suffocation, assurez-vous que tous les sacs en polyéthylène et les matériaux d'emballage et les pièces fournis avec cette article sont tenus hors de portée et éliminés de manière adéquate.
- Portez l'article avec précaution lorsque vous le déplacez d'une position à l'autre. Ne pas traîner l'article sur aucun type de sol.
- Avant l'utilisation, assurez-vous que cet article est complètement monté.
- Ne pas utiliser des outils électriques pour monter cet article.
- Des blessures graves ou fatales peuvent se produire, si vous basculez le meuble. Pour éviter que le meuble bascule, calez le meuble au mur en utilisant une cale.
- Ne pas utiliser cet article près d'un feu ou d'une source d'eau.
- Ce meuble doit être utilisé sur des surfaces plates uniquement. Assurez-vous que les pieds sont en contact permanent avec le sol.
- Vérifiez s'il n'y a pas de vis déliée sur cet article de temps en temps.
- Ne placez pas de téléviseur ni d'autres objets lourds sur cet objet.

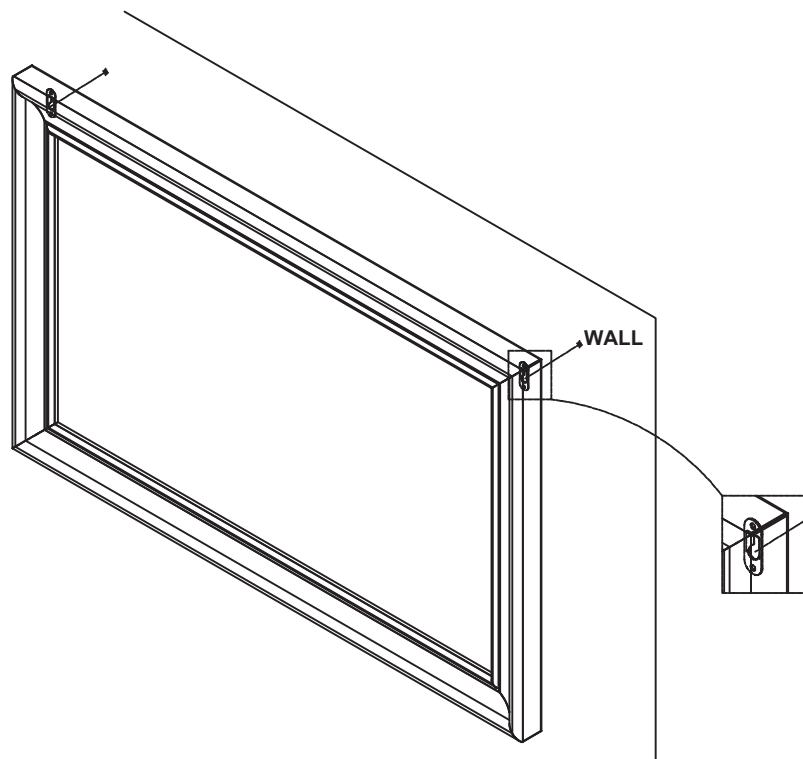
INSTRUCTIONS DE NETTOYAGE *Pour : Saleté liquide, saleté non liquide*

- Nettoyez cet article avec un chiffon humide uniquement. Ne pas utiliser de javel ou des nettoyeurs abrasifs.

STEP 1



STEP 2



1 YEAR LIMITED WARRANTY

Classic Brands Furniture are warranted for a one (1) year period from the date of purchase against defects in materials and/or workmanship. Unless there is a clear warranty issue, the Classic Brands Furniture are not returnable to Classic Brands. During this warranty period, if the product is deemed to be defective, our responsibility for the defective product is limited to replacement as stated below. All transportation costs are the responsibility of the purchaser during the entire warranty period. This Limited Warranty does not apply to and is otherwise invalid as to the following, without limitation: (1) Normal wear and tear; (2) Normal soiling from everyday use; (3) Product used for commercial, institutional, or rental purposes; (4) Damage caused by structural problems or appliance malfunctions; (5) Damage caused by or related to fire, natural disaster, flood, theft, vandalism or other crimes, or any other loss that is covered under an insurance policy; (6) Damage caused by extraordinary use; (7) Damage occurred during moves between residences or while in storage; or (8) smoke, fire, floods, or other acts of God.

CLASSIC BRANDS SHALL NOT BE LIABLE FOR INCIDENTAL OR CONSEQUENTIAL DAMAGES RESULTING FROM THE USE OF THIS PRODUCT OR ARISING OUT OF ANY BREACH OF THIS WARRANTY AND THE EXCLUSIVE REMEDY FOR BREACH OF THIS WARRANTY SHALL BE REPLACEMENT OF THE PRODUCT. THE EXPRESS LIMITED WARRANTY SET FORTH HEREIN IS THE SOLE WARRANTY GIVEN BY CLASSIC BRANDS, SHALL ONLY EXTEND TO THE ORIGINAL PURCHASER AND SHALL NOT EXTEND TO ANY SUBSEQUENT OWNER OR OTHER TRANSFEREE OF THE PRODUCT. THE REMEDIES DESCRIBED ABOVE ARE YOUR SOLE AND EXCLUSIVE REMEDIES AND OUR ENTIRE LIABILITY FOR ANY BREACH OF THIS LIMITED WARRANTY. OUR LIABILITY SHALL UNDER NO CIRCUMSTANCES EXCEED THE ACTUAL AMOUNT PAID BY YOU FOR THE DEFECTIVE PRODUCT. FOR SALES TO ANY PURCHASER, OTHER THAN THE ORIGINAL PURCHASER (AS DEFINED HEREIN), ALL IMPLIED WARRANTIES INCLUDING, BUT NOT LIMITED TO, ANY IMPLIED WARRANTY OF MERCHANTABILITY OR FITNESS FOR A PARTICULAR PURPOSE OR USE, ARE EXCLUDED AND DISCLAIMED. This Limited Warranty is made exclusively by Classic Brands and is not made on behalf of its distributors or any other party and no one is authorized to assume or undertake for Classic Brands any other liability in connection with the sale of the product. Some jurisdictions do not allow for the disclaimers of implied warranties or the exclusion of limitation of incidental or consequential damages, so the above limitations may not apply to you. In the event that the disclaimer of implied warranties is not applicable to you, then such implied warranties shall only remain in effect during the limited warranty period. All determinations of applicability and validity of warranty claims hereunder are solely at the discretion of the Classic Brands and such determination shall be final. THIS LIMITED WARRANTY IS NON-TRANSFERRABLE. The limited warranty set forth in this certificate apply only to the product accompanied by this Limited Warranty Certificate. This limited warranty gives you legal rights and you may have other rights which vary from state to state. This limited warranty shall be interpreted in accordance with the laws of the State of Maryland, without regard to provisions concerning conflict of laws. Classic Brands reserves the right to revise, cancel, or amend its warranties offered to products sold in the future. The limited warranty set forth herein is valid and applicable to the product accompanied by this Warranty Certificate.

WARRANTY CLAIMS PROCEDURE: Should a warranty claim arise, the original purchaser shall contact Classic Brands for a Warranty Claim Form and Instructions. The original purchaser shall complete the Warranty Claim Form, clearly detailing the defect, and email along with a copy of original sales receipt for the Product to claims@classicbrands.com or as otherwise directed on the Warranty Claim Form. Warranty Claim Forms that are incomplete or sent without a copy of original sales receipt will not be processed and will be returned. Upon receipt by Classic Brands of the completed Warranty Claim Form and the original sales receipt, Classic Brands' quality control department will verify the defect and/or the applicability of this Limited Warranty thereto. In the event that this Limited Warranty is applicable, a replacement product of equal or greater value will be sent to the customer. The original purchaser will be responsible for shipping, handling and processing fees. No monetary refunds and/or credits will be issued. Please retain this warranty and your original invoice for one (1) year.